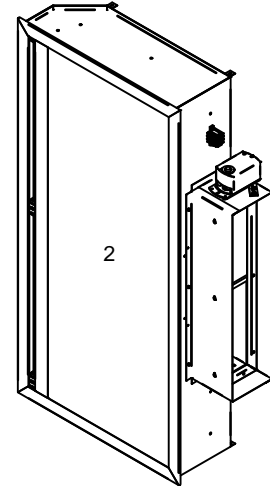
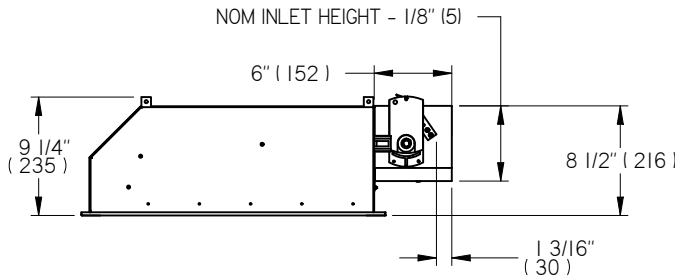
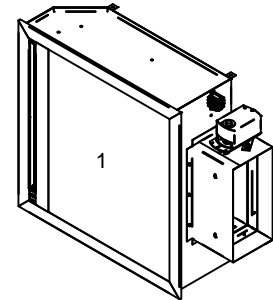
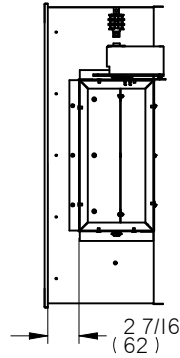
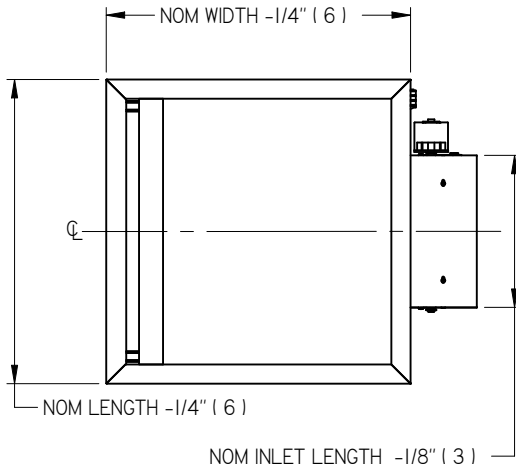


DF1L-HC - 1 WAY LAY-IN HEAT/COOL DISPLACEMENT DIFFUSER



ELECTRIC ACTUATOR (EA) OPTION SHOWN IN ALL VIEWS



OPTIONS & ACCESSORIES:

- AFI: 1/2" ALUMINUM FOIL INSULATION
- AFSD: AIR FLOW SENSING DAMPER
- ELECTRIC ACTUATOR (EA) 24V FLOATING
- THERMAL ACTUATOR (TA)

STANDARD CONSTRUCTION:

- PERFORATED FACE - 18 GA. STEEL
- FRAME - 20 GA. STEEL
- PLENUM - 24 GA. STEEL

FINISH:

- B12 WHITE (FACE)
- (OPTIONAL FINISHES AVAILABLE)

NOTES:

- FACTORY TOLERANCE +/- 1/16" (2)
- FACTORY MOUNTED ACTUATOR
- ALL UNITS COME WITH INTERNAL BAFFLE
- SEE INSTALLATION MANUAL I100010

Available Sizes

ASSY CONFIG	NOM.	NOM. INLET
	LENGTH x WIDTH	LENGTH x HEIGHT
1	24 x 24 (610 x 610)	12 x 6 (305 x 152)
2	48 x 24 (1219 x 610)	24 x 6 (610 x 152)

ALL METRIC DIMENSIONS () ARE SOFT CONVERTED. IMPERIAL DIMENSIONS ARE CONVERTED TO METRIC AND ROUNDED TO THE NEAREST MILLIMETER.

PROJECT:		PRICE
ENGINEER:		
CUSTOMER:		DF1L-HC
SUBMITTAL DATE:		1 WAY LAY-IN HEAT/COOL DISPLACEMENT DIFFUSER
SPEC. SYMBOL:		25009I
		JULY 2011